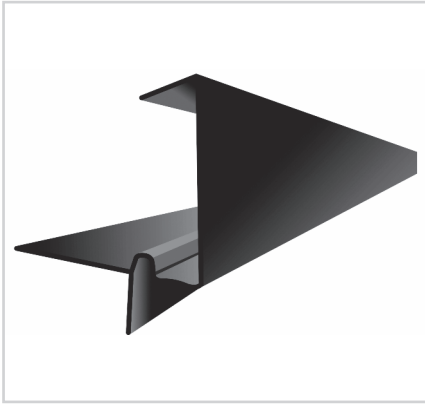


Continuous Verge R, D Types



easy-trim[®] Verge C

Description

The Easy-Trim Continuous Verges R and D systems have been designed to provide a weather tight, mortar free and aesthetically pleasing dry fix solution to gable ends on pitch roofs.

Continuous Dry Verge is a fast & effective dry fix solution, without the inconvenience of using mortar and clips, providing a maintenance free, clean, attractive finish to gable ends.

The 'R and D' Profiles are compatible with Flat, High and Low Profiled tiles, including Plain & Rosemary Tiles, manufactured by all major tile suppliers.

The material used is of high quality, external grade, rigid upvc, which is extremely resistant to light degradation and atmospheric pollution.

Available in 5mtr & 6mtr lengths, in a choice of colours. A full range of connectors and ridge end caps to complement the range.

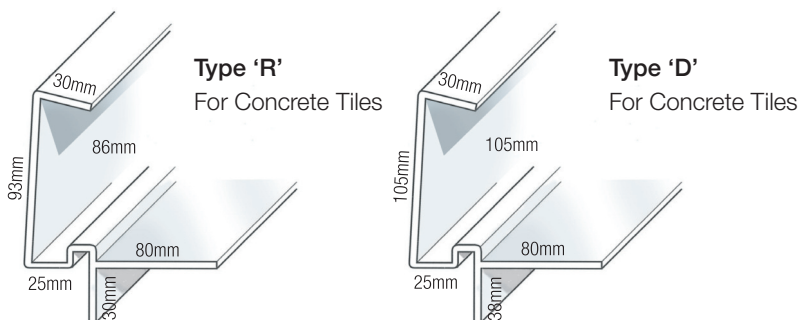
Benefits

- Saves time and labour
- Can be fixed in any weather condition
- Easy to install
- No under-cloak required

Packaging

Lengths:	5mtr & 6mtr
Colours:	Black, White & Brown
Pack quantity:	3 per Pack

Dimensions



Tel: +44 (0) 845 034 6008

e: enquiries@easy-trim.co.uk

f: +44 (0) 845 034 6010

Unit 12B Metcalf Drive
Altham Industrial Estate | Altham
Lancashire | BB5 5TU | England

w: www.easy-trim.co.uk

find us:



Continuous Verge R, D Types

Accessories

Connector:	R Type and D Type
Ridge End Caps:	(Images attached: Profiles and fitting)
Shapes:	Round & Angled
Colours:	Brown, Black and White

Fitting

The Continuous Verge is quickly and easily fitted. No adhesive or special tools are required. Please refer to our fitting leaflets for both our Tile & Slate profiles for more detailed fitting instructions.

Disclaimer

The information relates only to this specified material and may not be valid for such materials used in combinations with other materials and processes. This information is, to the best of the Company's knowledge and belief, accurate and reliable as of the date indicated. However, no warranty, guarantee or representation is made to its accuracy, reliability or completeness. It is the user's responsibility to satisfy themselves as to the suitability of the information on the material for their own particular use.

Tel: +44 (0) 845 034 6008

e: enquiries@easy-trim.co.uk

f: +44 (0) 845 034 6010

Unit 12B Metcalf Drive
Altham Industrial Estate | Altham
Lancashire | BB5 5TU | England

w: www.easy-trim.co.uk

find us:

